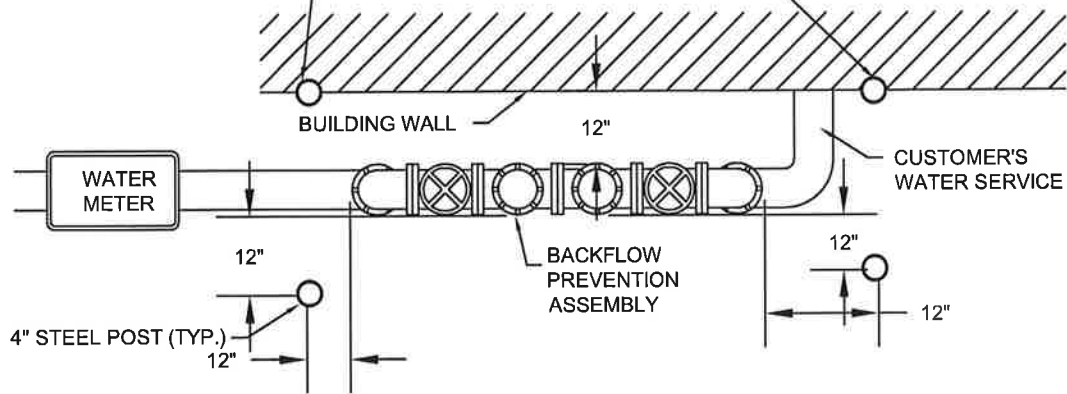
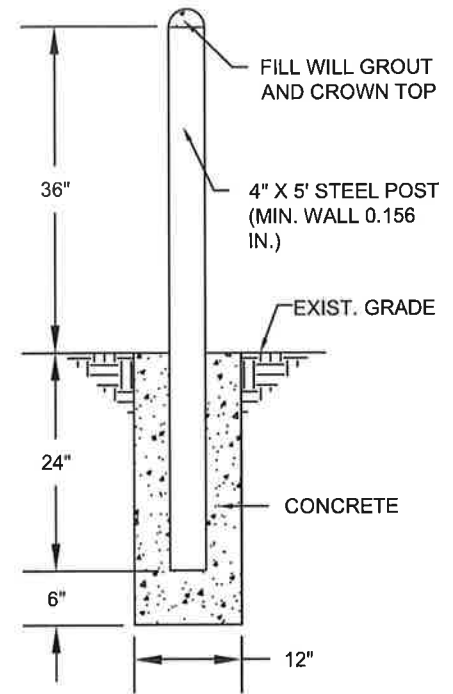


NOTE
 GUARD POSTS ARE REQUIRED AT THESE
 LOCATIONS IF BACKFLOW PREVENTION
 ASSEMBLY IS IN AN OPEN AREA. (NOT NEXT
 TO A BUILDING WALL OR FENCE)



GUARD POST LOCATIONS FOR BACKFLOW PREVENTION ASSEMBLY
 PLAN VIEW



GUARD POST SECTION



STANDARD
 DETAIL

GUARD POSTS

APPROVED

 TOWN ENGINEER

 DATE

DETAIL No.
GIL-359