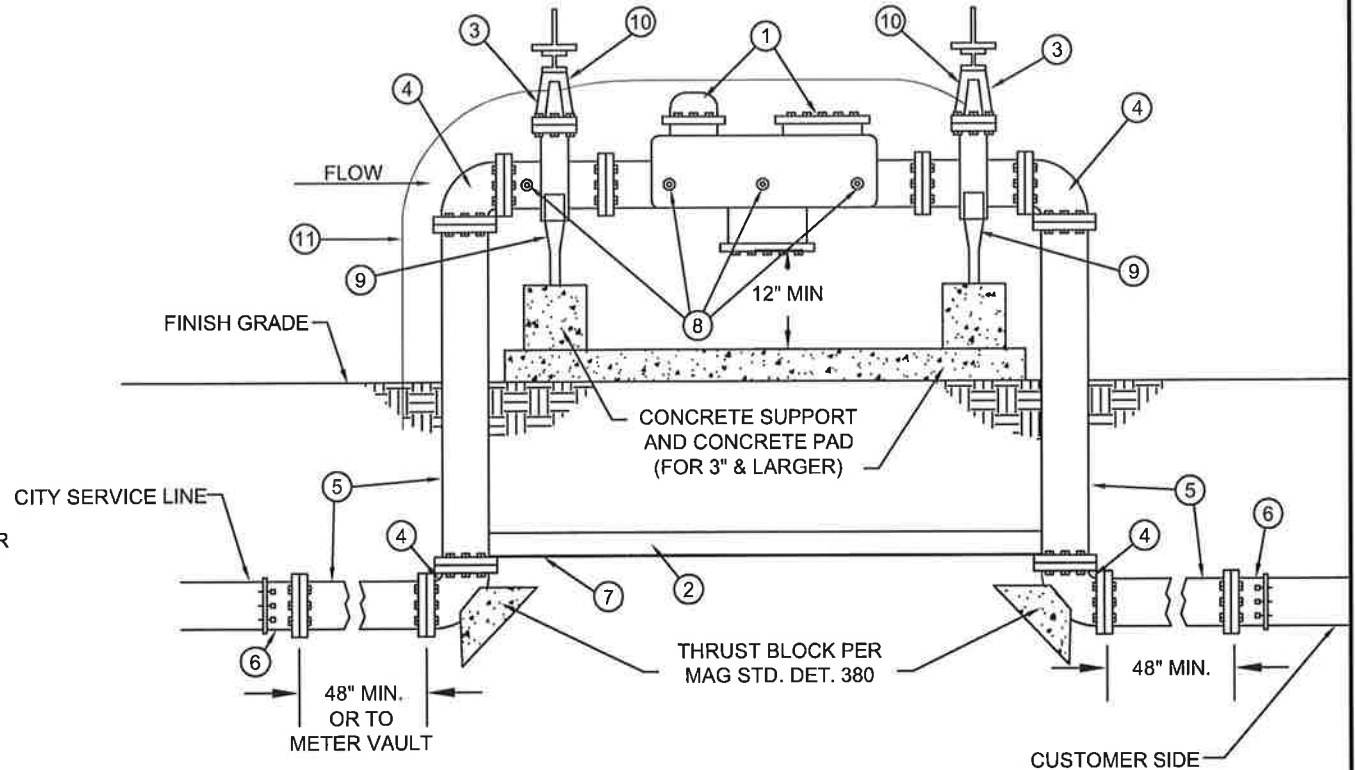


## LIST OF MATERIALS

1. APPROVED REDUCED PRESSURE PRINCIPLE BACKFLOW PREVENTION DEVICE.
2. COAT WITH COAL TAR EPOXY (16 MILS.).
3. O.S. & Y. GATE VALVE (RESILIENT SEAT).
4. 90 ELBOW (FLANGED D.I.P. 3" THRU 10") OR (TYPE "K" COPPER FOR 2 1/2").
5. PIPE SPOOL (FLANGED D.I.P. 3" THRU 10") OR (TYPE "K" COPPER FOR 2 1/2").
6. FLANGED ADAPTER ( WHEN REQUIRED).
7. 3" X 3" X 1/4" STEEL ANGLE (FOR 4" & LARGER ASSEMBLY ONLY) BOLT TO FLANGE EACH END WITH ONE BOLT.
8. BRASS FLARED TEST FITTINGS ARE REQUIRED ON ALL TEST COCKS
9. ADJUSTABLE PIPE SUPPORT (FOR 3" & LARGER ASSEMBLY ONLY).
10. TAMPER SWITCH (ON FIRE LINE ONLY).
11. ELECTRICAL CONDUIT FOR TAMPER SWITCH (ON FIRE LINE ONLY).



## GENERAL NOTES

1. CONTACT THE TOWN OF GILBERT BACKFLOW PREVENTION DEPT FOR THE LATEST LIST OF APPROVED BACKFLOW PREVENTION DEVICES.
2. ASSEMBLY SHALL BE APPROVED BY U.S.C. FOUNDATION FOR CROSS CONNECTION AND HYDRAULIC RESEARCH.
3. FOUR (4) TEST COCKS SHALL BE INSTALLED AS PER U.S.C.. TEST COCKS SHALL BE FITTED WITH BRASS FLARED TEST FITTINGS.
4. ABOVE GROUND INSTALLATIONS SHALL BE PROTECTED BY GUARD POSTS. SEE DETAIL GIL-359.
5. COPPER FITTINGS SHALL BE CONNECTED WITH LEAD-FREE SOLDER JOINTS.
6. CONCRETE SUPPORT PAD SHALL BE MIN. 12" WIDE BY LENGTH OF PRESSURE ASSEMBLY.
7. FINISHED GRADE UNDERNEATH BACKFLOW PREVENTION ASSEMBLIES SHALL BE 95% COMPACTION.
8. ASSEMBLY TO BE PAINTED TAN OR TO MATCH BUILDING.



STANDARD  
DETAIL

## 2 1/2" AND LARGER REDUCED PRESSURE PRINCIPLE ASSEMBLY

APPROVED

TOWN ENGINEER

DATE

DETAIL No.  
**GIL-351**